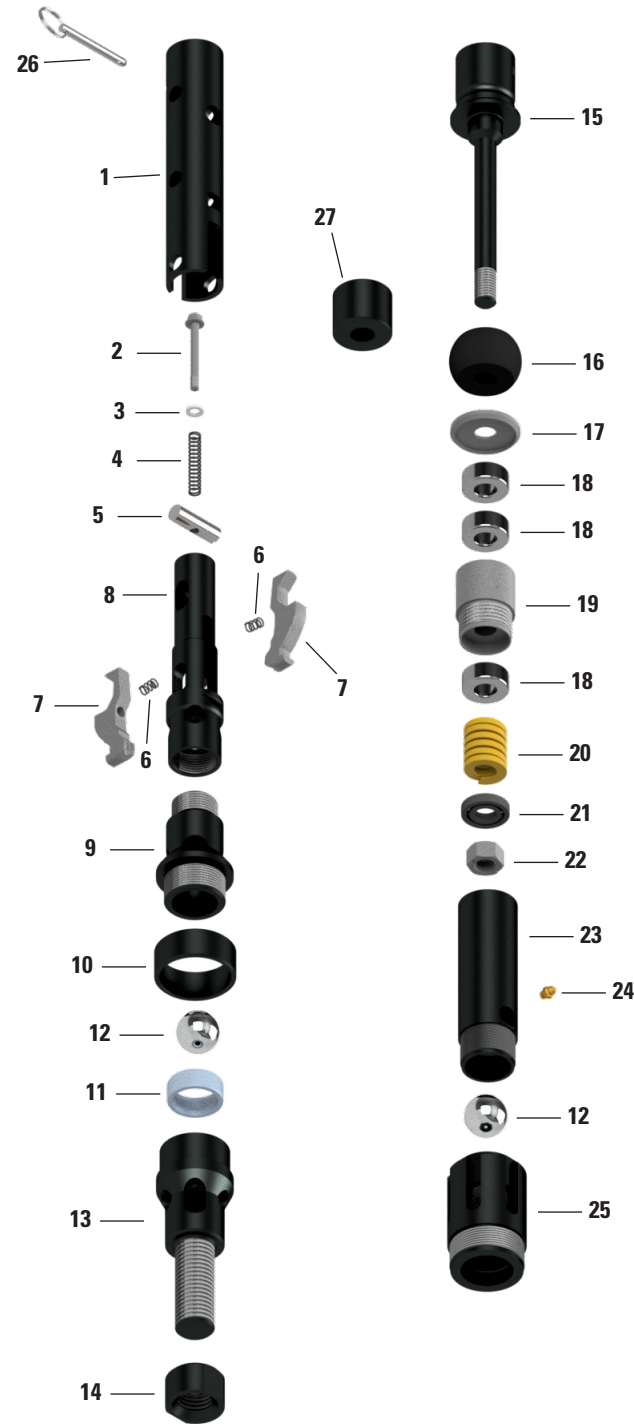


DiscovOre Prime Head Assembly

Item	Description	Part Number	Qty
		N Size	
-	NO2-D Prime Head Assembly – Surface	3760017791	1
1	Retracting case	3760017418	1
2	Assembly bolt	3760017439	1
3	Wedge lock washer	3760017235	1
4	Spring retracting case	3760017462	1
5	Assembly pin	3760017424	1
6	Spring – Latch	3760017743	2
7	Latch	3760017717	2
8	Latch body	3760017433	1
9	Mid body – Surface	3760017720	1
10	Landing shoulder	3760005241	1
11	Landing indicator bushing low	3760017531	1
12	Chrome ball	3760017523	2
13	Lower body	3760017711	1
14	Locknut – Spindle	3760017410	1
15	Spindle	3760017722	1
16	Shut off valve – Black	3760017748	1
17	Valve adjusting washer	3760017786	1
18	Thrust bearing	3760006470	3
19	Bearing housing	3760017723	1
20	Compression spring	3760017721	1
21	Ball bearing	3760017434	1
22	Stover nut	3760013002	1
23	Inner tube cap body	3760017716	1
24	Grease fitting	9469705073	1
25	Inner tube adapter	3760017793	1
26	Safety pin	3760017291	1
27	Valve spacer	3760017718	OPT



DiscovOre Prime Case Parts

Description	Part Number	Case Qty
	N Size	
NO2 case assembly	3760017789	-
NO2 Prime head assembly	3760017791	2
Retracting case	3760017418	1
Latch body	3760017433	1
Mid body	3760017720	1
Lower body	3760017711	1
Spindle	3760017722	1
Bearing housing	3760017723	1
Inner tube cap body	3760017716	1
Inner tube adapter	3760017793	1
Valve spacer	3760017718	2
Spindle support	3760017735	1
Core orientation spacer	3760017726	2
Core orientation inner tube adapter	3760017764	2
Spindle support pin	3760017737	1
DiscovOre tool	3760017281	1
ND Prime overshot assembly	3760017750	1
BA3S overshot head	3760017452	1
BA3S spares kit	3760017465	1
Inner tube overshot receiver	3760017781	1
N to B jar staff adapter	3760017744	1
Spearhead adapter	3760017534	1
Jar staff	3760015556	1
Bushing puller assy	3760017158	1
Needle bar 36"	3760017739	1
Inner tube EXT N2 2"	3760018010	2

DiscovOre Prime Small Parts Kit

Description	Part Number	Case Qty
	N Size	
Small parts NO2 container assembly	3760017787	-
Latch spring	3760017743	8
Landing shoulder	3760005241	1
Grease fitting	9469705073	3
Stover nut	3760013002	1
Spiral pin 1/4" x 1 5/8"	3760017761	2
O-ring	3760017539	1
Chrome ball	3760017523	1
Valve adjusting washer	3760017786	1
Spindle lock nut	3760017410	1
Safety pin	3760017291	1
Compression spring	3760017721	1
Landing indicator bushing high	3760017530	4
Landing indicator bushing low	3760017531	4
Overshot centralizer	3760017752	1
Thrust bearing	3760006470	12
Shut off valve – Black	3760017748	8
Assembly bolt	3760017439	2
Wedge lock washer 1/4"	3760017235	2
Retracting case spring	3760017462	2
Assembly pin	3760017424	2
Latch	3760017717	8
Ball bearing	3760017434	8

DISCOVORE PRIME - CORE ORIENTATION SETUP

3760017791 - NO2-D PRIME:

STEP 1:



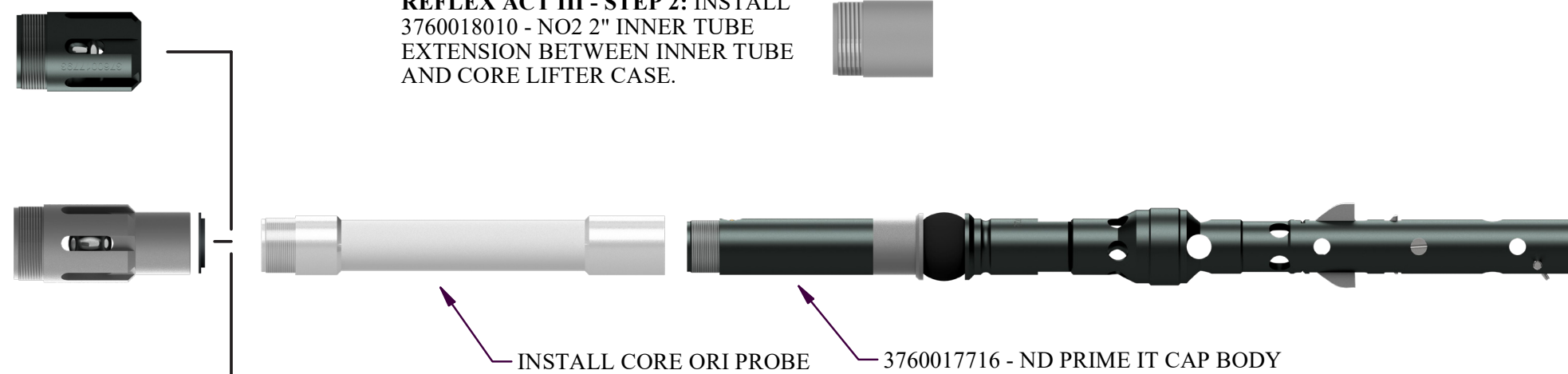
STEP 2:

DEVICO DEVICORE BBT:
 INSTALL 3760017793 - N2D PRIME IT ADAPTER & 3760017523 - CHECK VALVE BALL ONTO CORE ORI PROBE

REFLEX ACT III - STEP 1:
 INSTALL 3760017764 - CORE ORI IT ADAPT, 3760017523 - CHECK VALVE BALL & 3760017726 - ND PRIME CORE ORI SPACER (REFLEX LOGO FACING PROBE) ONTO CORE ORI PROBE. SEE STEP 2

BOART LONGYEAR TRUCORE:
 INSTALL 3760017764 - CORE ORI IT ADAPT, 3760017523 - CHECK VALVE BALL & 3760017726 - ND PRIME CORE ORI SPACER (TRUCORE LOGO FACING PROBE) ONTO CORE ORI PROBE

REFLEX ACT III - STEP 2: INSTALL 3760018010 - NO2 2" INNER TUBE EXTENSION BETWEEN INNER TUBE AND CORE LIFTER CASE.



NOTE:
 1. REQUEST PRIME SPECIFIC CORE ORIENTATION KIT FROM SUPPLIER
 2. USE CORE ORIENTATION SUPPLIER'S PROVIDED OUTER TUBE EXTENSION