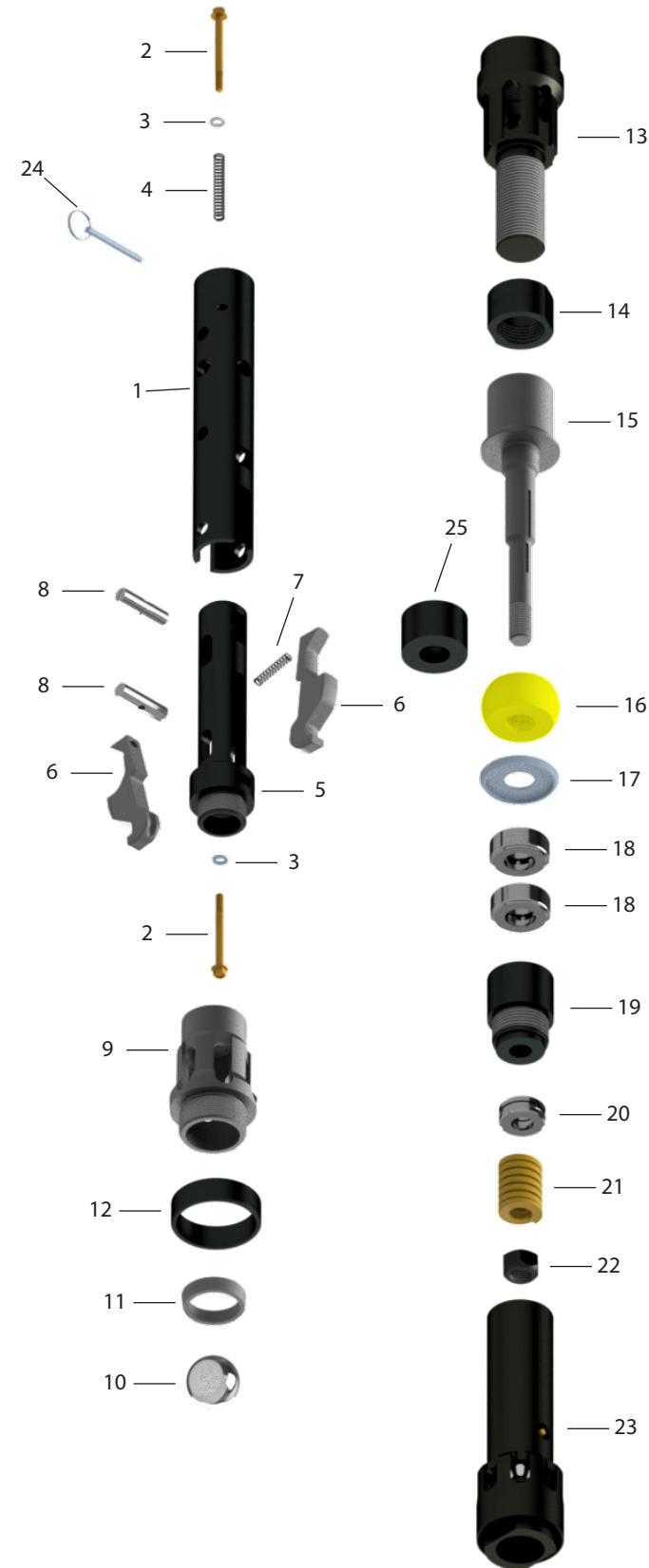


### DiscovOre Prime Head Assembly

Item	Description	Part Number	Qty
		H Size	
-	H-D Prime Head Assembly – Surface	3760017800	1
1	Retracting case	3760017233	1
2	Assembly bolt	3760017239	2
3	Wedge lock washer	3760017235	2
4	Spring – Retracting case	3760017236	1
5	Latch body	3760017833	1
6	Latch	3760017817	2
7	Spring – Latch	3760017237	1
8	Assembly rod	3760017228	2
9	Mid body – Surface	3760017820	1
10	Chrome ball	3760017829	1
11	Landing indicator bushing low	3760017831	1
12	Landing shoulder	3760005150	1
13	Lower valve body	3760017811	1
14	Locknut – Spindle	3760017212	1
15	Spindle	3760017822	1
16	Shut off valve – Yellow	3760017848	1
17	Valve adjusting washer	3760017851	1
18	Thrust bearing	3760006461	2
19	Bearing housing	3760017823	1
20	Bearing hanger	3760006462	1
21	Compression spring	3760017821	1
22	Stover nut	3760013003	1
23	Inner tube cap assembly	3760017815	1
24	Safety pin	3760017291	1
25	Valve spacer	3760017818	OPT



### DiscovOre Prime Case Parts

Description	Part Number	Case Qty
	H Size	
H case assembly	3760017840	-
HD Prime head assembly	3760017800	2
Retracting case	3760017233	1
Latch body	3760017833	1
Mid body	3760017820	1
Landing shoulder	3760005150	1
Lower valve body	3760017811	1
Lock nut - spindle	3760017212	1
Spindle	3760017822	1
Shut off valve	3760017848	8
Bearing housing	3760017823	1
Inner tube cap assy	3760017815	1
NH A3S overshot assembly	3760017250	1
NH A3S overshot head assembly	3760017252	1
NH A3S spares kit	3760017265	1
H spearhead adapter	3760017544	1
Core orient. inner tube cap body	3760017837	2
Core orient. inner tube adapter	3760017836	2
Needle bar 36"	3760017739	1
DiscovOre tool	3760017281	1
Overshot receiver	3760017339	1
2 3/8" inner tube extension	3760017827	2
Small parts kit	3760017885	1

### DiscovOre Prime Small Parts Kit

Description	Part Number	Case Qty
	H Size	
Small parts H container assembly	3760017885	-
Bearing hanger	3760006462	4
Landing indicator bushing low	3760017831	4
Valve adjusting washer	3760017851	1
Valve spacer	3760017818	2
Stover nut	3760013003	1
Bolt	3760017239	4
Wedge lock washer 1/4"	3760017235	4
Spring 0.360"X0.051"X2.5"	3760017236	2
Assembly rod	3760017228	4
Spring 0.300"X0.030"X1.50"	3760017237	4
Grease fitting	9469705073	3
Compression spring	3760017821	1
Latch	3760017817	8
Thrust bearing	3760006461	8
Safety pin	3760017291	1
O-ring	3760017539	1
Landing indicator bushing high	3760017830	4
Chrome ball	3760017829	1

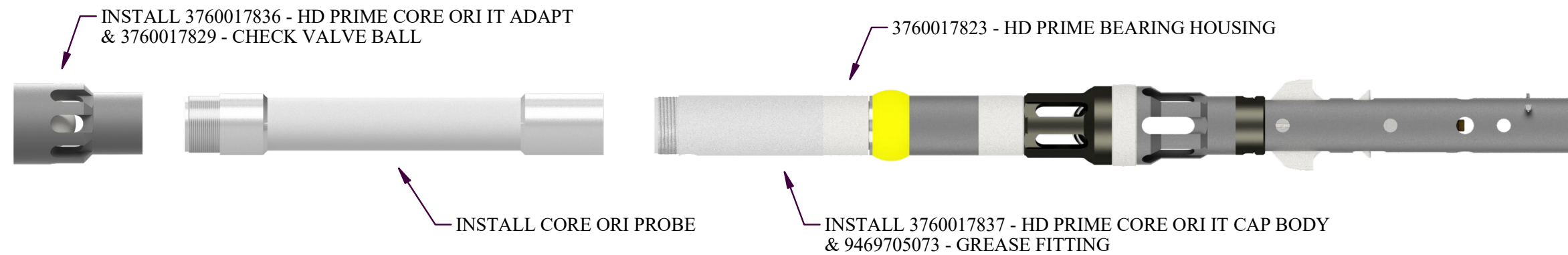
## DISCOVERE PRIME - CORE ORIENTATION SETUP

### 3760017800 - HD PRIME:

#### STEP 1:



#### STEP 2:



#### **NOTE:**

1. REQUEST PRIME SPECIFIC CORE ORIENTATION KIT FROM SUPPLIER

2. USE CORE ORIENTATION SUPPLIER'S PROVIDED OUTER TUBE EXTENSION