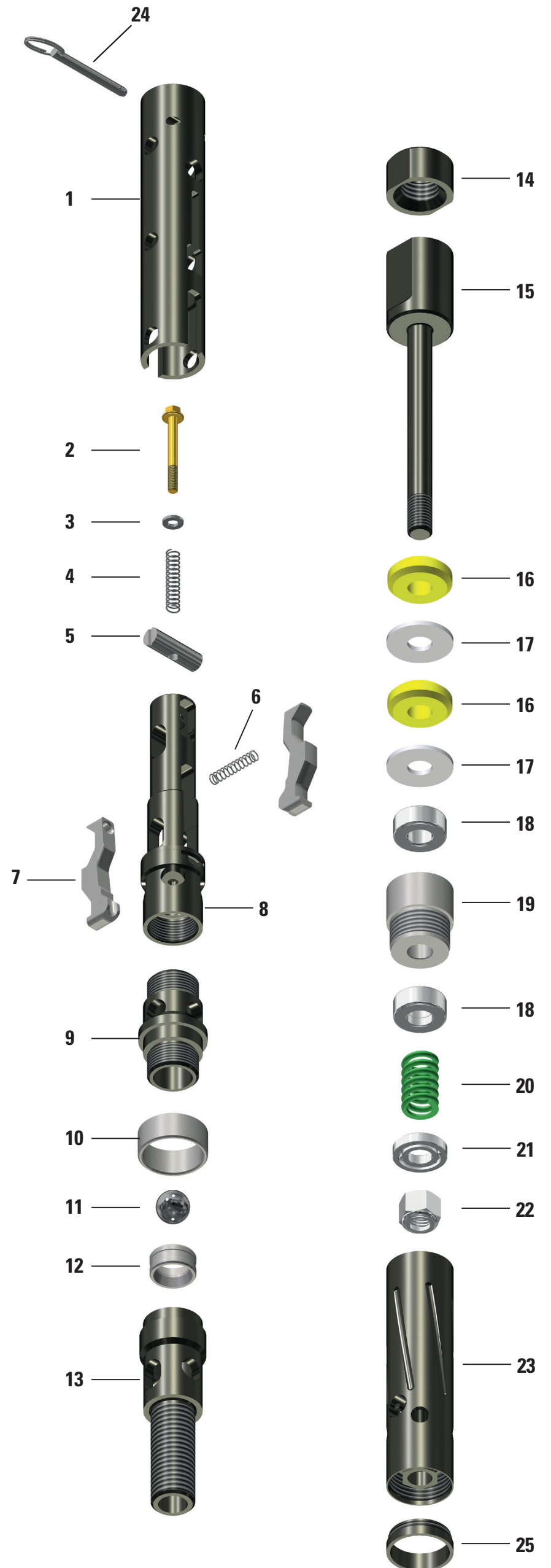


Surface DiscovOre Head Assembly

BO

DiscovOre

Item	Description	Part Number	Qty
-	B-D Head Assembly – Surface	3760017400	1
1	Retracting case	3760017418	1
2	Assembly bolt	3760017439	1
3	Wedge lock washer	3760017235	1
4	Spring – Retracting case	3760017462	1
5	Assembly rod	3760017424	1
6	Spring – Latch	3760017334	1
7	Latch	3760017417	2
8	Latch body	3760017433	1
9	Mid body – Surface	3760017425	1
10	Landing shoulder	3760005796	1
11	22 mm ball	3760012099	1
12	Landing indicator bushing	3760012100	1
13	Lower body	3760017411	1
14	Locknut – Spindle	3760017410	1
15	Spindle	3760017422	1
16	Shut off valve	3760008340	2
17	Valve adjusting washer	3760006222	2
18	Thrust bearing	3760006470	2
19	Spindle bearing housing	3760017423	1
20	Compression spring	3760006475	1
21	Ball bearing	3760017434	1
22	Nyloc nut	3760017431	1
23	Inner tube cap assembly	3760017415	1
24	Safety pin	3760017291	1
25	Thread protector	3760017472	1

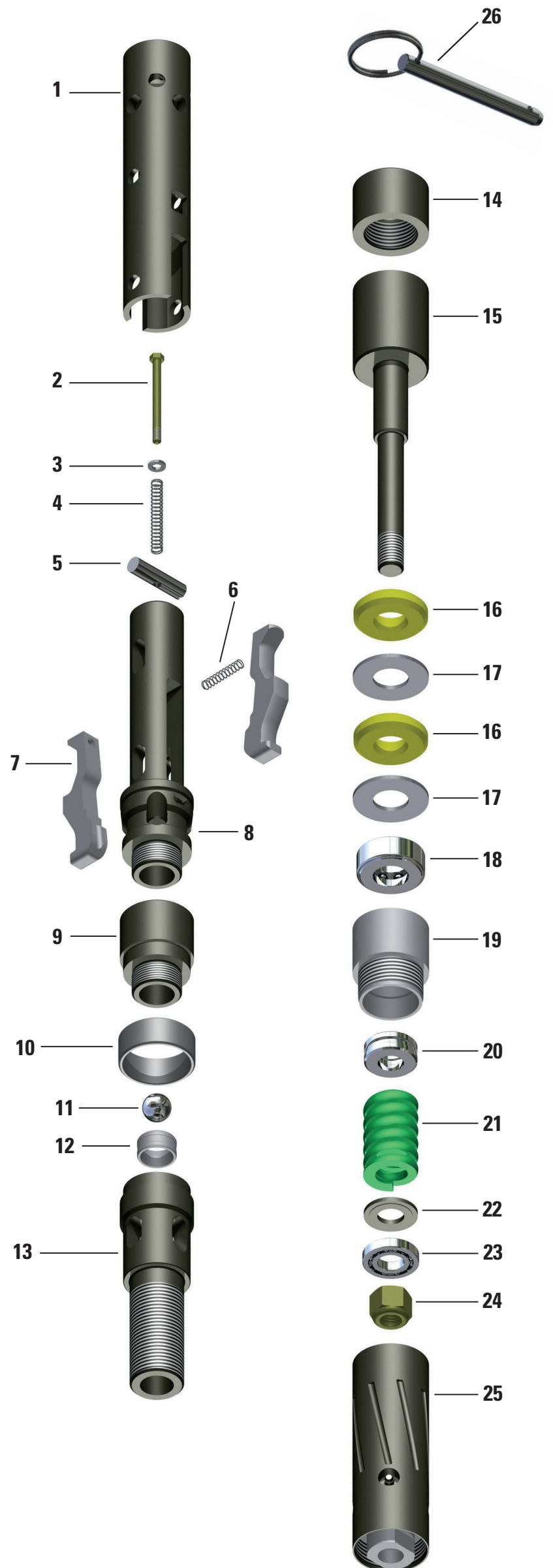


Surface DiscovOre Head Assembly

NO
N2

DiscovOre

Item	Description	Part Number		Qty
		NO Size	N2 Size	
-	N-D Head Assembly – Surface	3760017200	3760017221	1
1	Retracting case	3760017233		1
2	Assembly bolt	3760017239		1
3	Wedge lock washer	3760017235		1
4	Spring – Retracting case	3760017236		1
5	Assembly rod	3760017228		1
6	Spring – Latch	3760017237		1
7	Latch	3760017222		2
8	Latch body	3760017220		1
9	Mid body – Surface	3760017223		1
10	Landing shoulder	3760005100	3760005241	1
11	22 mm ball	3760012099		1
12	Landing indicator bushing	3760012100		1
13	Lower body	3760017211		1
14	Locknut – Spindle	3760017212		1
15	Spindle	3760017217		1
16	Shut off valve – Yellow	3760008328		2
17	Valve adjusting washer	3760006237		2
18	Thrust bearing	3760006461		1
19	Spindle bearing	3760017219		1
20	Hanger bearing	3760006462		1
21	Compression spring	3760006463		1
22	Washer – Bearing	3760017230		1
23	Ball bearing	3760017234		1
24	Nyloc nut	3760017240		1
25	Inner tube cap assembly	3760017232	3760017243	1
26	Safety pin	3760017291		1

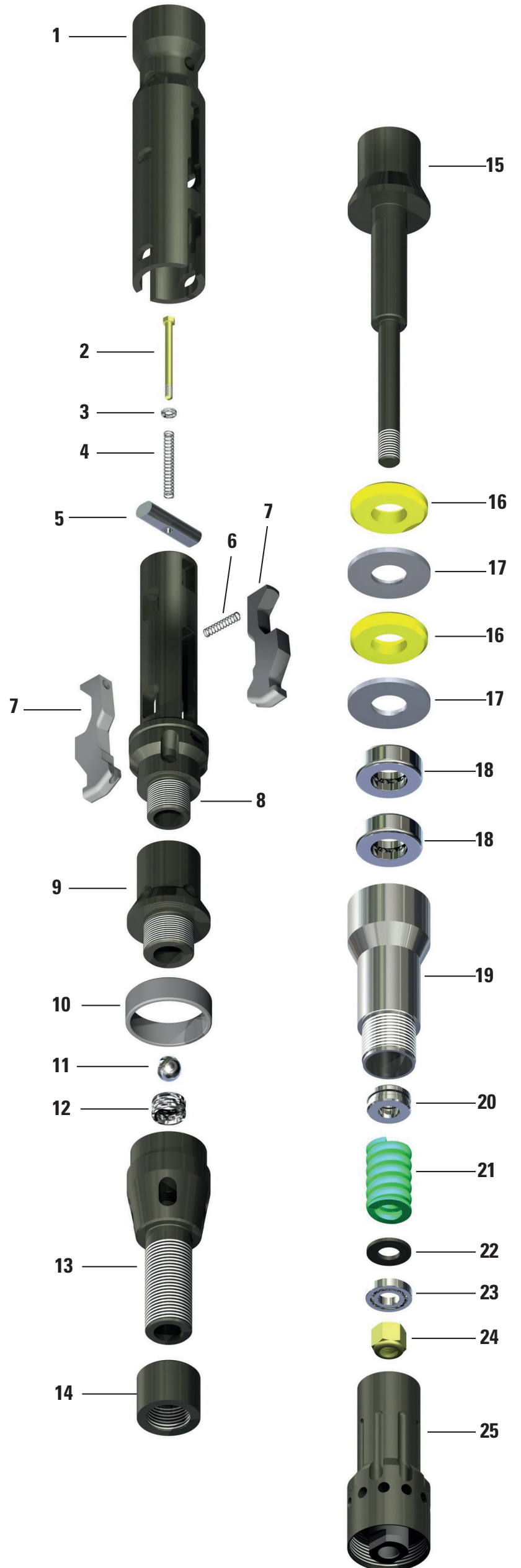


Surface DiscovOre Head Assembly

HO
H3

DiscovOre

Item	Description	Part Number	Qty
-	H-D Head Assembly – Surface	3760017300	1
1	Retracting case	3760017318	1
2	Assembly bolt	3760017239	1
3	Wedge lock washer	3760017235	1
4	Spring – Retracting case	3760017236	1
5	Assembly rod	3760017324	1
6	Spring – Latch	3760017334	1
7	Latch	3760017317	2
8	Latch body	3760017333	1
9	Mid body – Surface	3760017325	1
10	Landing shoulder	3760005150	1
11	22 mm ball	3760012099	1
12	Landing indicator bushing	3760012100	1
13	Lower body	3760017311	1
14	Locknut – Spindle	3760017212	1
15	Spindle	3760017322	1
16	Shut off valve – Yellow	3760008379	2
17	Valve adjusting washer	3760006252	2
18	Thrust bearing	3760006471	2
19	Spindle bearing	3760017323	1
20	Hanger bearing	3760006462	1
21	Compression spring	3760006463	1
22	Washer – Bearing	3760017230	1
23	Ball bearing	3760017234	1
24	Nyloc nut	3760017240	1
25	Inner tube cap assembly	3760017315	1
26	Safety pin	3760017291	1



Surface Arrow 3S Overshot Assembly

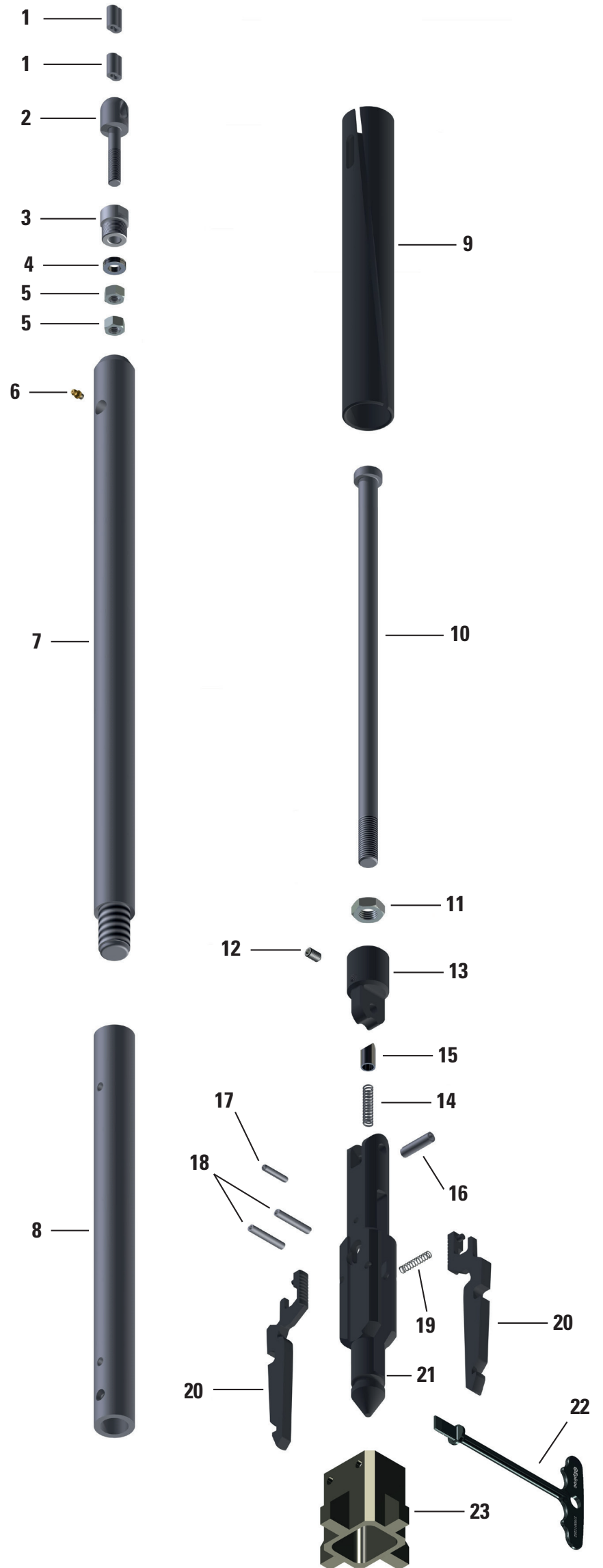
**NO
HO-PO**

Item	Description	Part Number			Qty
		NH Size	P Size	NH Short	
	Arrow 3S Overshot – Surface	3760017250	3760017550	3760017290	1
1-5	Cable swivel assembly	3760016262			1
12-21	Arrow 3S Overshot head assembly	3760017252	3760017552	3760017252	1
1	Nicopress sleeve	3760008244			2
2	Eye bolt	3760016265			1
3	Cable swivel collar	3760007216			1
4	Bearing	3760006467			1
5	Nut	3760012331			2
6	Grease fitting	0544110023			1
7	Sinking bar body	3760006384			1
8	Jar Tube	3760015660	3760015935		1
9	Release sleeve	3760006381			1
10	Jar staff	3760015663	N/A		1
11	Jam nut	5530616400	N/A		1
12	Set screw	3760015495			1
13	Pivot body	3760017258			1
14	Spring – Detent	3760017279			1
15	Detent	3760017280			1
16	7/16" Coiled pin	3760017260			1
17	1/4" x 1 1/4" Spring pin	0108169134			1
18	5/16 x 1 1/2" Coiled pin	3760017259	3760017559	3760017259	2
19	Spring	3760006373			1
20	Lifting dog – Surface	3760017254			2
21	Overshot body – Surface	3760017255			1
22	Release tool	3760016230			1
23	P size Adapter	N/A	3760017570	N/A	



NHP Arrow 3S Short total length 1190 mm / 47"

Use Short overshot for down holes with limited space. (Underground or Surface). The extra weight of the sinking bar and no drag from the propulsion seals will result in faster round trips. The release sleeve will give you the ability to release the overshot in the event of a jammed inner tube.



NHP Arrow 3S Overshot standard Surface total length – 1980 mm / 78"