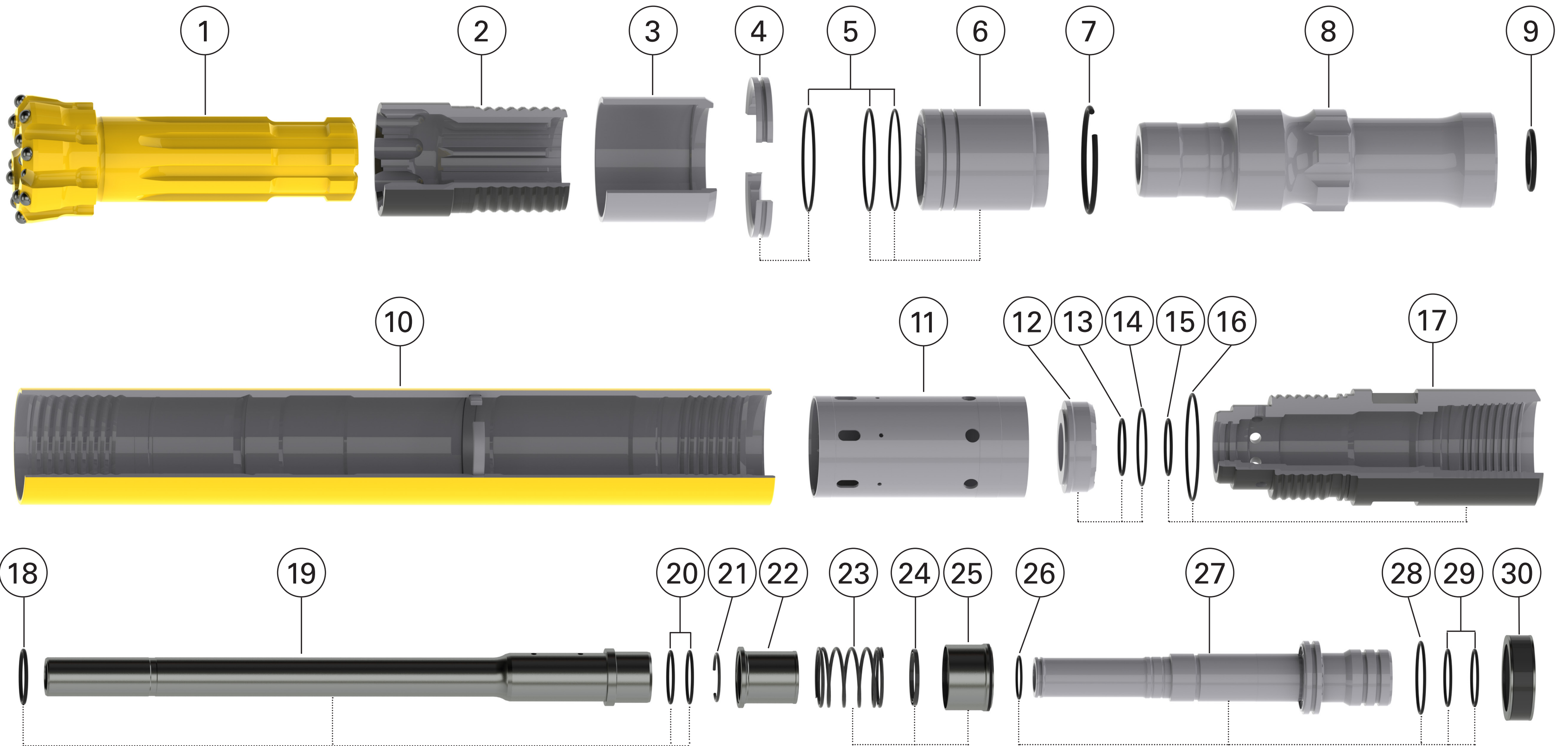


Secoroc RC 50

Reverse Circulation hammer



| Ref. | Part | Prod. No. | Product code |
|------|---|--|--|
| 1 | Bit concave extra flushing 136 mm bit 140 mm bit 140 mm bit 143 mm bit, 19 mm gauge buttons 143 mm bit 146 mm bit 152 mm bit 165 mm bit | 90516434 90516432 90029025 90003638 90516472 90516433 90516558 90516435 | 1EO-5136-97-7217,08-20 1EO-5140-97-7217,08-20 1EO-5140-97-7217,10-20 1EO-5143-97-7215,08-20 1EO-5143-97-7217,08-20 1EO-5146-97-7217,08-20 1EO-5152-97-7217,08-20 1EO-5165-97-7217,08-20 |
| 2 | Chuck | 52291887 | 9705-RC-00-000-97-000-001 |
| 3 | Chuck sleeve 132 mm 134 mm 137 mm 139 mm 140 mm 142 mm 144 mm 147 mm 150 mm 153 mm 157 mm 163 mm | 89001500 52291606 52291614 89001501 52348257 89001502 52291622 52348612 52348620 52352374 52352382 52343696 | 9705-RC-00-000-00-000-C32 9705-RC-00-000-00-000-C34 9705-RC-00-000-00-000-C37 9705-RC-00-000-00-000-C39 9705-RC-00-000-00-000-C40 9705-RC-00-000-00-000-C42 9705-RC-00-000-00-000-C44 9705-RC-00-000-00-000-C47 9705-RC-00-000-00-000-C50 9705-RC-00-000-00-000-C53 9705-RC-00-000-00-000-C57 9705-RC-00-000-00-000-C63 |
| 4, 5 | Bit retaining ring assembly | 52292331 | 9705-RC-00-000-97-000-002 |
| 4 | Bit retaining ring (not sold separately) | - | - |
| 5 | O-ring | 95086641 | 0663-95086641 |
| 5, 6 | Bit bearing assembly | 52291853 | 9705-RC-00-000-97-000-022 |
| 5 | O-ring | 95086641 | 0663-95086641 |
| 6 | Bit bearing (not sold separately) | - | - |
| 7 | Bit bearing lock ring | 52346780 | 9705-RC-00-000-00-000-058 |
| 8 | Piston | 52292018 | 9705-RC-00-000-97-000-005 |
| 9 | Piston tail seal | 52292067 | 9705-RC-00-000-00-000-054 |
| 10 | Casing assembly | 89010578 | 9705-RC-00-000-00-000-A04 |
| 11 | Inner cylinder | 52291630 | 9705-RC-00-000-00-000-048 |

| Ref. | Part | Prod. No. | Product code |
|----------------|----------------------------|-----------|---------------------------|
| 12, 13, 14 | QL-valve assembly | 52344074 | 9705-RC-00-000-00-000-A44 |
| 12 | Valve body | - | - |
| 13 | O-ring | 95137394 | 0663-95137394 |
| 14 | O-ring | 95716833 | 0663-95716833 |
| 15, 16, 17 | Backhead assembly | 52347648 | 9705-RC-00-66B-00-000-A20 |
| 15 | O-ring | 95018701 | 0663-95018701 |
| 16 | O-ring | 95086666 | 0663-95086666 |
| 17 | Backhead | - | - |
| 18, 19, 20 | Lower inner-tube assembly | 52344066 | 9705-RC-00-000-97-000-R95 |
| 18 | Bumper ring | 95136669 | 0663-95136669 |
| 19 | Center tube | - | - |
| 20 | O-ring | 95086195 | 0663-95086195 |
| 21 | Check valve retaining ring | 52346632 | 9705-RC-00-000-00-000-028 |
| 22 | Check valve seat | 52346616 | 9705-RC-00-000-00-000-018 |
| 23, 24, 25 | Check valve assembly | 52348638 | 9705-RC-00-000-00-000-A17 |
| 23 | Spring | 52346624 | 9705-RC-00-000-00-000-016 |
| 24 | Polypack seal | - | - |
| 25 | Check valve body | 52346715 | 9705-RC-00-000-00-000-036 |
| 26, 27, 28, 29 | Upper Inner-tube assembly | 52348182 | 9705-RC-00-66B-00-000-R94 |
| 26 | O-ring bottom | 95086153 | 0663-95086153 |
| 27 | Adapter tube | - | - |
| 28 | O-ring middle | 95086591 | 0663-95086591 |
| 29 | O-ring top | 95018453 | 0663-95018453 |
| 30 | Crush ring | 52341898 | 9705-RC-00-000-00-000-014 |

| Complete hammer and maintenance kits | Prod. No. | Product code |
|--|-----------|---------------------------|
| RC50 Complete hammer | 52292273 | 9705-RC-00-66B-97-000 |
| Seal kit - Includes: 5, 9, 13, 14, 15, 16, 18, 20, 26, 28, 29 | 52345147 | 0663-52345147 |
| Service kit - Includes: QL-valve assembly (12, 13, 14), Check valve assembly (23, 24, 25) and Seal kit | 52348653 | 9705-RC-00-000-00-000-K70 |
| Rebuild kit - Includes: 2,10, Backhead assembly (15,16, 17) and service kit | 52351426 | 9705-RC-00-66B-97-000-K40 |