

DiscovOre Prime H Surface

The DiscovOre Prime is a revolutionary coring system developed for drillers by drillers that is safer and faster than other available systems.

SAFETY

Like the regular DiscovOre, the Prime has built-in safety features that automatically engage and do not require additional manual steps, making it easier to assemble and disassemble. **Lighter by 23%** than the regular DiscovOre in H size, the Prime is easier for drillers to handle.

- No spring pins and no spearhead
- Robust latches and spindle
- Improved latch engagement
- Automatic locking overshoot
- Improved conversion head for all hole orientations
- Stabilized bearing assembly

SPEED

Additionally, the Prime is faster than the DiscovOre, with a descent speed that is **up to twice as fast** as the L-Latch. Its increased inner tube retrieval speed leads to a quicker drilling cycle time and less wear and tear on wireline.

PRODUCTIVITY

The DiscovOre Prime is a premium product with a **payback that can be achieved within a couple of days** depending on drilling conditions. Contact your sales representative to inquire about the return on investment specific to your operations.

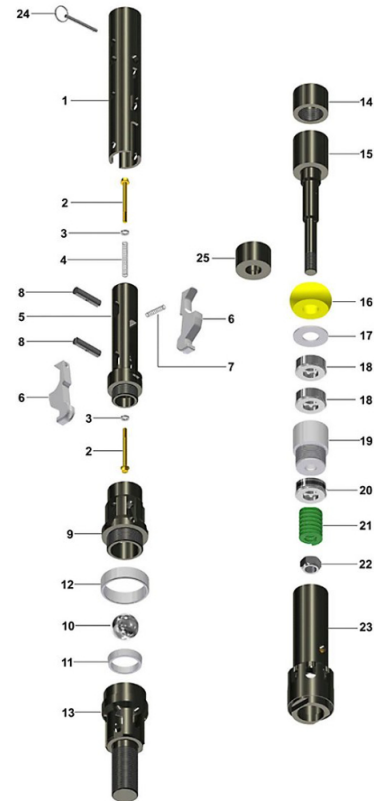
DiscovOre Prime H | Assembly part list

	DISCOVORE PRIME H SURFACE	3760017800
1	Retracting case	3760017233
2	Assembly bolt	3760017239
3	Wedge lock washer	3760017235
4	Spring - Retracting case	3760017236
5	Latch boby	3760017833
6	Latch	3760017817
7	Spring - Latch	3760017237
8	Assembly rod	3760017228
9	Mid body - Surface	3760017820
10	Chrome ball	3760017829
11	Landing indicator bushing low	3760017831
12	Landing shoulder	3760005150
13	Lower valve body	3760017811
14	Locknut - Spindle	3760017212
15	Spindle	3760017822
16	Shut off valve - Yellow	3760017848
17	Valve adjusting washer	3760006237
18	Thrust bearing	3760006461
19	Bearing housing	3760017823
20	Bearing hanger	3760006462
21	Compression spring	3760017821
22	Stover nut	3760013003
23	Inner tube cap assembly	3760017815
24	Safety pin	3760017291
25	Valve spacer	3760017818

DiscovOre Prime H | Case part list

H case assembly	3760017840
HD Prime head assembly	3760017800
Retracting case	3760017233
Latch body	3760017833

DiscovOre Prime



Mid body	3760017820
Landing shoulder	3760005150
Lower valve body	3760017811
Lock nut - spindle	3760017212
Spindle	3760017822
Shut off valve	3760017848
Bearing housing	3760017823
Inner tube cap assy	3760017815
NH A3S overshot assembly	3760017250
NH A3S overshot head assembly	3760017252
NH A3S spares kit	3760017265
H spearhead adapter	3760017544
Core orient. inner tube cap body	3760017837
Core orient. inner tube adapter	3760017836
Needle bar 36"	3760017739
DiscovOre tool	3760017281
Overshot receiver	3760017339
2 3/8" inner tube extension	3760017827
Small parts kit	3760017885

