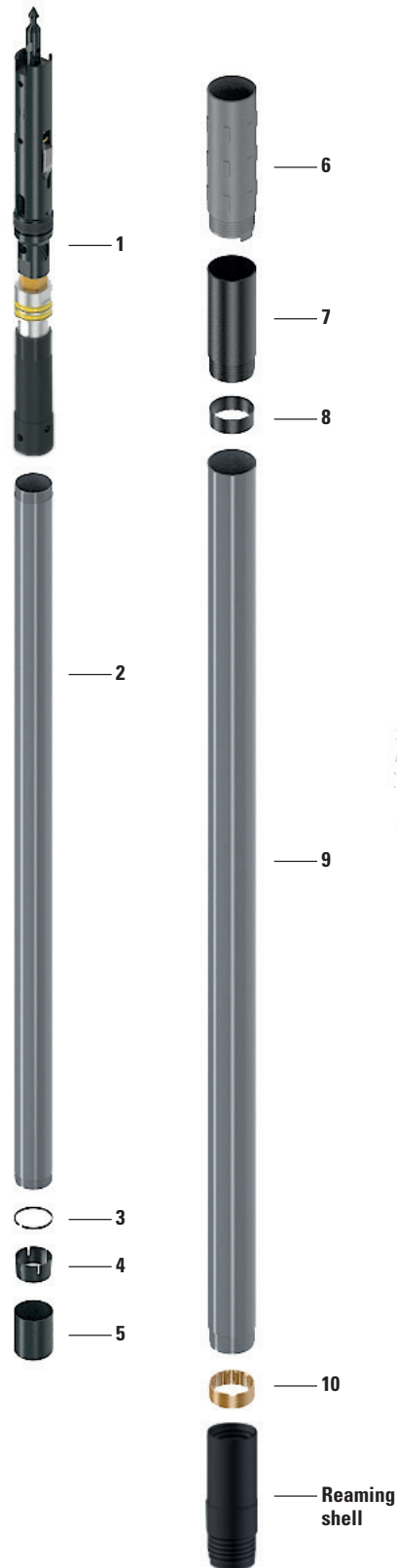


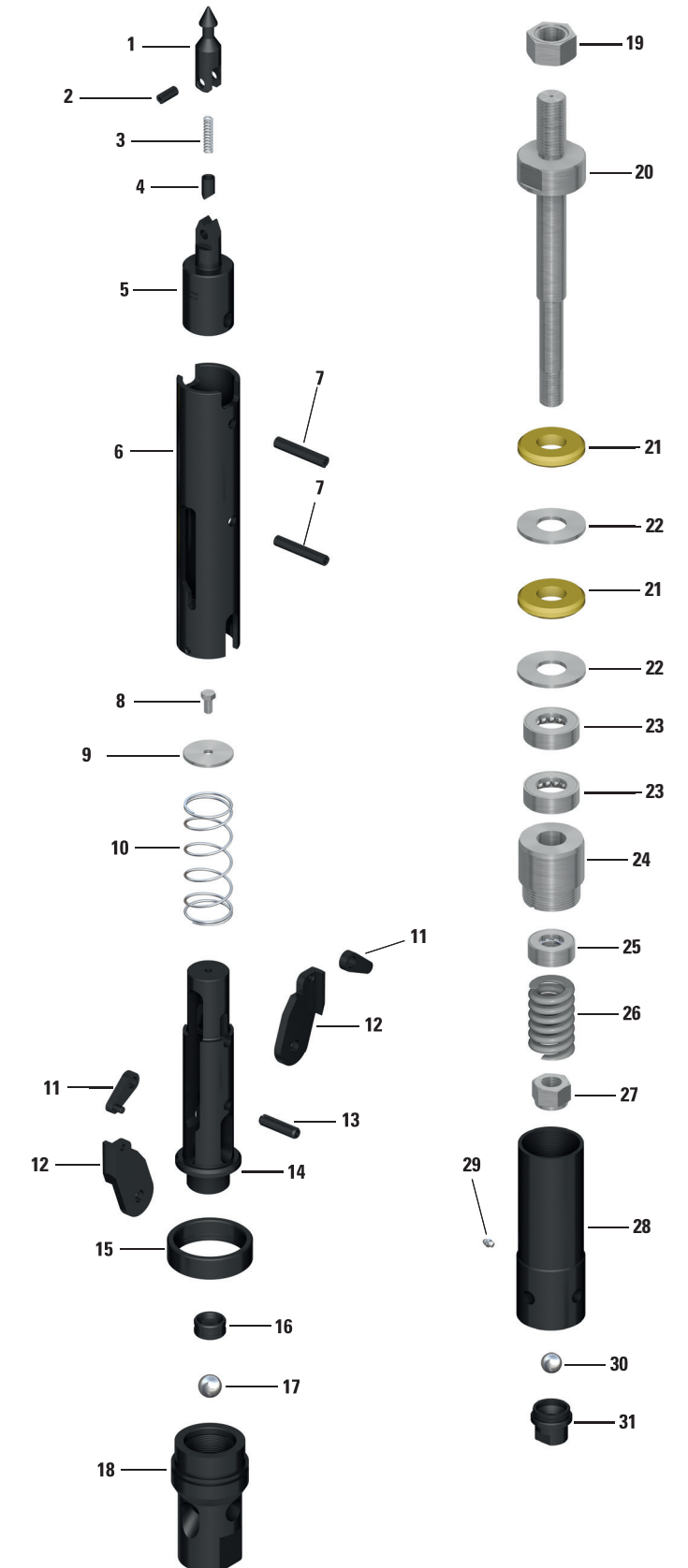
OWL L-Latch



Item	Description	Part number	
Drill rod connection			
	1,5 m / 5 ft core barrel assembly complete	9469705205	9469711648
	3,0 m / 10 ft core barrel assembly complete	9469705209	9469711649
	1,5 m / 5 ft inner tube assembly complete	9469705212	9469711650
	3,0 m / 10 ft inner tube assembly complete	9469705215	9469711651
1	Head assembly complete	9469705218	
Consumables/accessories			
2	1,5 m / 5 m inner tube	9469705250	
2	3,0 m / 10 ft inner tube	9469705252	
	1,5 m / 5 ft Split Tube	N/A	9469705311
	3 m / 10 ft Split Tube	N/A	9469705312
	Adapter	N/A	9469705313
	Piston Plug	N/A	9469705074
	Piston	N/A	9469705315
	O-ring	N/A	9469705314
3	Stop ring	9469705254	3760006288
4	Core lifter	9469705295	3760005840
5	Core lifter case	9469705255	3760006290
6	Locking coupling**	9469705256	
7	Adapter coupling	9469705257	
8	Landing ring	3760006258	
9	1,5 m / 5 ft outer tube	9469705259	
9	3,0 m / 10 ft outer tube	9469705263	
10	Inner tube stabilizer	9469705267	9469705434
Full grip wrenches			
	Inner tube wrenches	3760006032	
	Outer tube wrenches	3760006053	

** Other rod box threads and options available. Please contact your Fordia Powered by Epiroc's representative for more information.

Item	Description	Part Number	Qty
		H Size	
-	H Head Assembly - Surface	9469705218	1
1	Spearhead point	9469705061	1
2	Coiled spring pin 7/16" X 1"	9469705062	1
3	Compression spring	9469705063	1
4	Detent plunger	9469705064	1
5	Spearhead base L-Latch	9469705228	1
6	Latch retracting case L-Latch	9469705232	1
7	Coiled spring pin 1/2" X 2-3/4"	9469705282	2
8	Hex bolt 3/8-16 X 3/4	9469705138	1
9	Latch spring washer	9469705269	1
10	Latch compression spring	9469705226	1
11	Link for L-Latch	9469705270	2
12	Latch for L-Latch	9469705237	2
13	Spring pin	9469705065	1
14	Upper latch body L-Latch	9469705288	1
15	Landing shoulder	9469705286	1
16	Landing indicator bushing	9469705066	1
17	Stainless steel ball 22mm	9469705068	1
18	Lower latch body	9469705285	1
19	Hex nut	9469705242	1
20	Spindle shaft	9469705243	1
21	Shut-off valve hard	9469705292	2
Option	Shut-off valve soft	9469706577	2
22	Valve adjusting washer	9469705244	2
23	Thrust bearing	9469705245	2
24	Spindle bearing	9469705246	1
25	Hanger bearing	9469705410	1
26	Compression spring	9469705247	1
27	Stover lock nut	9469705248	1
-	Inner Tube Cap Assembly	9469705249	1
28	Inner tube cap	9469705293	1
29	Grease fitting 1/4" - 28 straight	9469705073	1
30	Stainless steel ball 22mm	9469705068	1
31	Check valve body	9469705072	1



OWL L-Latch