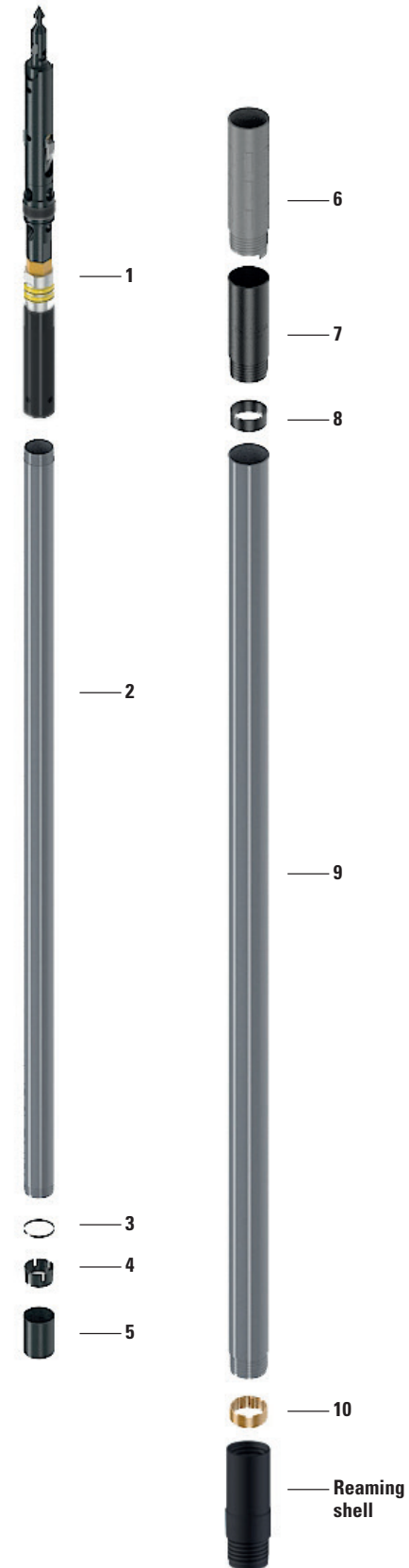


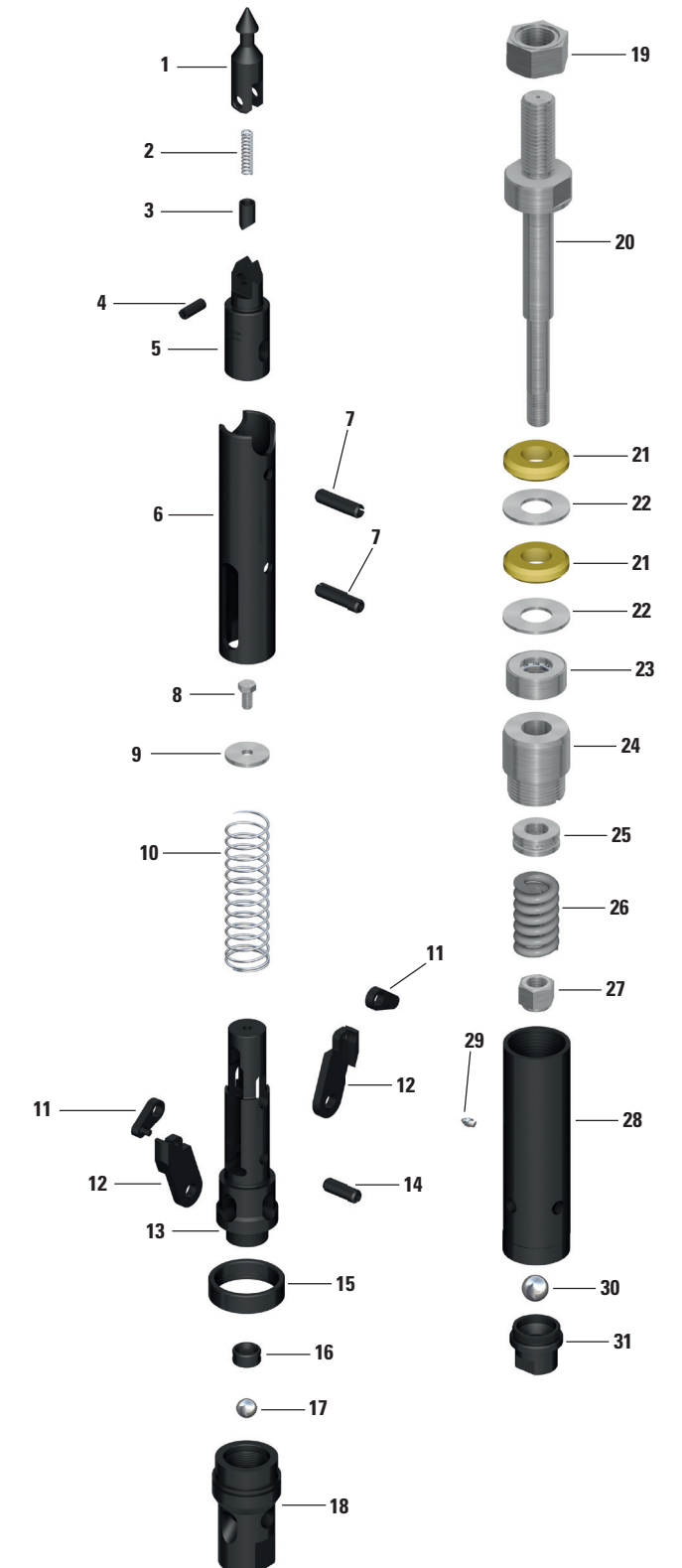
OWL L-Latch

Item	Description	Part number		
		N core barrel	N2 core barrel	N3 core barrel
Drill rod connection				
	1,5 m / 5 ft core barrel assembly complete	9469705371	9469705464	9469711644
	3,0 m / 10 ft core barrel assembly complete	9469705375	9469705467	9469711645
	1,5 m / 5 ft inner tube assembly complete	9469705379	9469705470	9469711642
	3,0 m / 10 ft inner tube assembly complete	9469705382	9469705473	9469711643
1	Head assembly complete	9469705385	9469705476	9469705385
Consumables/accessories				
2	1,5 m / 5 m inner tube	9469705416	9469705479	9469705416
2	3,0 m / 10 ft inner tube	9469705418	9469705480	9469705418
	1,5 m / 5 ft split tube	N/A	N/A	9469705501
	3,0 m / 10 ft split tube	N/A	N/A	9469705502
	Adaptor	N/A	N/A	9469705503
	Piston plug	N/A	N/A	9469705074
	Piston	N/A	N/A	9469705505
	O-ring	N/A	N/A	9469705504
3	Stop ring	3760006240	3760006326	9469705499
4	Core lifter	9469705461	3760007764	9469705506
5	Core lifter case	9469705421	3760006328	9469705500
6	Locking coupling (NO rod box)**	9469705422		
7	Adapter coupling	9469705424		
8	Landing ring	3760006243	9469705484	9469705425
9	1,5 m / 5 ft outer tube	9469705426		
9	3,0 m / 10 ft outer tube	9469705430		
10	Inner tube stabilizer	9469705434	9469705485	9469705434
Full grip wrenches				
	Inner tube wrenches	3760006031		
	Outer tube wrenches	3760006032		

** Other rod box threads and options available. Please contact your Fordia Powered by Epiroc's representative for more information.



Item	Description	Part Number		Qty
		N Size	N2 Size	
-	N Head Assembly - Surface	9469705385	9469705476	1
1	Spearhead point	9469705061		1
2	Compression spring	9469705063		1
3	Detent plunger	9469705064		1
4	Coiled spring pin 7/16" x 1"	9469705062		1
5	Spearhead base L-Latch	9469705396		1
6	Latch retracting case L-Latch	9469705399		1
7	Spring pin 1/2" x 2"	9469705065		2
8	Hex bolt 3/8-16 X 3/4	9469705138		1
9	Latch spring washer	9469705436		1
10	Latch compression spring	9469705394		1
11	Link for L-Latch	9469705437		2
12	Latch for L-Latch	9469705404		2
13	Upper latch body L-Latch	9469705455		1
14	Spring pin 1/2" x 1 1/2"	9469705067		1
15	Landing shoulder	9469705453	9469705487	1
16	Landing indicator bushing	9469705066		1
17	Stainless steel ball 22mm	9469705068		1
18	Lower latch body	9469705452		1
19	Hex nut	9469705407		1
20	Spindle shaft	9469705408		1
21	Shut-off valve hard	9469705458		2
Option	Shut-off valve soft	9469706710		2
22	Valve adjusting washer	9469705409		2
23	Thrust bearing	9469705410		1
24	Spindle bearing	9469705411		1
25	Hanger bearing	9469705412		1
26	Compression spring	9469705413		1
27	Stover lock nut	9469705414		1
-	Inner Tube Cap Assembly	9469705415	9469705478	1
28	Inner tube cap	9469705459	9469705488	1
29	Grease fitting 1/4" - 28 straight	9469705073		1
30	Stainless steel ball 22mm	9469705068		1
31	Check valve body	9469705072		1



OWL L-Latch