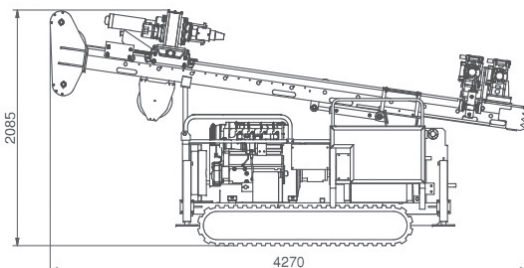


E700

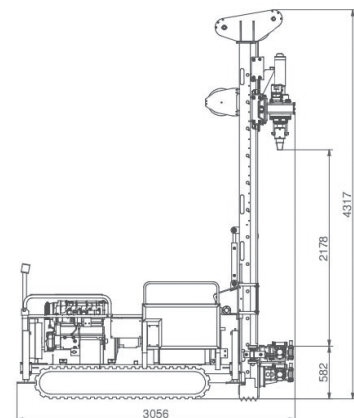


- 70 HP diesel engine allows operation with all possible drilling techniques
- Rotary percussion head equipped with a double hydraulic motor
- Fully automatic with injection swivel, single or double rod clamp and manipulation winch
- CE certified



Dimensions on displacement position

Length: 4,500 mm (14.76 ft)
 Width: 1,100 mm (3.61 ft)
 Height: 2,100 mm (6.89 ft)



Dimensions on working position

Length: 3,950 mm (12.96 ft)
 Width: 1,600 mm (5.25 ft)
 Height: 4,500 mm (14.76 ft)

Fordia's **E700** geotechnical drilling rig is a versatile and powerful product designed for site investigation.

Powered with a 70 HP diesel engine, it offers a wide range of accessories and options allowing operation with all possible drilling techniques including: rotary percussive drilling, down-the-hole hammer drilling, coring, injection drilling, auger drilling and more.

The rotary percussion head is equipped with a double hydraulic motor as well as a percussion hammer and offers a wide range of torques and rotation speeds.

The air/water injection swivel comes with two available threads for all types and rods connections and allows you to alternate between left and right turn drilling.

With its injection pump, rod clamp and hydraulic winch, the E700 is equipped and ready for the most demanding geotechnical investigations.

The E700 is CE certified and comes with all the necessary equipment and safeties for safe operation.

This product can also be supplied with an optional double rod clamp and capstan for SPT sampling.

WEIGHT

| | METRIC | IMPERIAL |
|---------------------------------|----------------------|----------------------|
| TOTAL (DEPENDING ON OPTIONS) | 3,000 to 3,500 kg | 6,614 to 7,716 lb |

CHASSIS

| DESCRIPTION |
|---------------------------------|
| Mechanically welded steel skid |
| 4 hydraulic stabilization jacks |

MAST

| | DESCRIPTION |
|--------------------|---------------------|
| STROKE | 2,200 mm |
| FEED | Jack and chains |
| PULL-BACK CAPACITY | 3,000 kg (6,614 lb) |
| PUSH-DOWN THRUST | 1,500 kg (3,307 lb) |
| ROD CLAMP | Single - 170 mm |

POWER PACK

| | DESCRIPTION |
|---------------------|------------------------------------|
| DEUTZ DIESEL ENGINE | 70 HP |
| FUEL TANK | 50 L |
| OIL TANK | 130 L |
| PUMP | Variable displacement for rotation |
| DISTRIBUTORS | Danfoss PVG 32 |

TRACK

| | DESCRIPTION |
|-------|---------------------------------------|
| TRACK | Remote radio controlled - Fixed width |
| WIDTH | 1,400 mm |

ROTATION HEAD

| | DESCRIPTION |
|----------------------|-----------------|
| HYDRAULIC MOTOR | Danfoss (2x) |
| MAX. TORQUE | 120 to 430 daNm |
| MAX. SPEED | 210 to 500 rpm |
| INJECTION SWIVEL | Air/water |
| PERCUSSION FORCE | 220 joules/blow |
| PERCUSSION FREQUENCY | 1200 bpm |

OPTIONS

| | DESCRIPTION |
|---------------|-------------------------|
| MAST | Useful stroke 3,300 mm |
| ROD CLAMP | Double to unscrew |
| ROTATION HEAD | 400 daNm - 660 rpm |
| ROTATION HEAD | Hydraulic sliding |
| PUMP | Triplex water injection |
| WINCH | Manipulation and/or WL |

