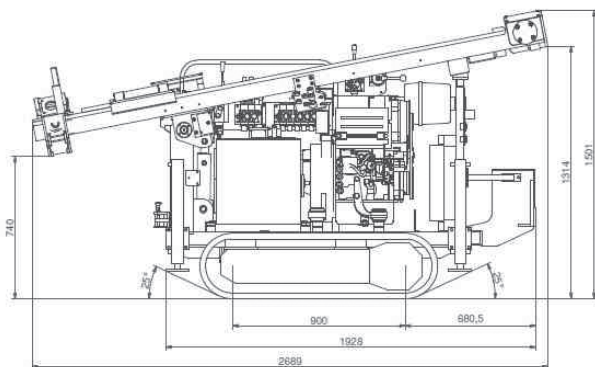


FORDIA®

# LÉGÈRE 300

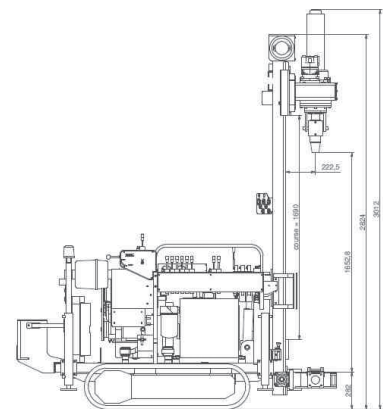


- Designed for shallow investigation, rotary drilling and coring
- Mounted on a self-propelled track for easy access to rough terrain
- Fully equipped with 4 hydraulic stabilization jacks, air/water injection swivel and hydraulic rod clamp with an optional 160 mm opening
- CE certified



**Dimensions on displacement position**

Length: 2,689 mm (8.82 ft)  
Width: 750 mm (2.46 ft)  
Height: 1,501 mm (4.92 ft)



**Dimensions on working position**

Length: 2,500 mm (8.20 ft)  
Width: 900 mm (2.95 ft)  
Height: 3,012 mm (9.88 ft)

The **LÉGÈRE300** is a lightweight, track-mounted drilling rig that is designed for shallow investigation, rotary drilling, continuous auger drilling or shallow rotary percussive drilling.

This basic yet rugged rig is easy to operate and maintain and is suitable for rough conditions.

Thanks to its chase and low center of gravity, this product is easy to handle and can work on rough terrain. The LÉGÈRE300 comes with a remote controller so you can control it from a distance.

The LÉGÈRE300 from Fordia offers a wide range of accessories and options including: four stabilization jacks, air and water injection swivel and hydraulic rod clamp with an optional 160 mm opening.

The mast can be raised hydraulically and allows a stroke using a 1.5 m long rod.

Its compact size makes it an ideal rig for work on sites with difficult access.

#### WEIGHT

	METRIC	IMPERIAL
TOTAL (DEPENDING ON OPTIONS)	1,350 to 1,600 kg	2,976 to 3,527 lb

#### CHASSIS

DESCRIPTION
Mechanically welded steel skid, mounted on a track with variable width 750 to 900 mm
4 hydraulic stabilization jacks
Control from a distance using a remote controller

#### MAST

	DESCRIPTION
STROKE	1,700 mm
OVERALL HEIGHT MAST EXTENDED	2,500 mm
PULL-BACK CAPACITY	2,000 kg (4,409 lb)
PUSH-DOWN THRUST	1,000 kg (2,204 lb)
RAISING	Hydraulic jack - Fixed drilling position

#### ROTATION HEAD

	DESCRIPTION
MAX. TORQUE	90 to 240 daNm
MAX. SPEED	160 to 250 rpm
INJECTION SWIVEL	Air/water
FEED	Motor and chain

Additional optional accessories include:

- Triple piston injection pump for water and muds, complete with its own gasoline engine
- Rod clamp
- Hydraulic top hammer for rotary percussion
- Manipulation winch with 500 kg. capacity
- Semi-automatic or automatic SPT hammer

The LÉGÈRE300 drilling rig complies with the latest CE safety regulations. Emergency stops are standard on the control panel as well as the remote controller.

#### POWER PACK

	DESCRIPTION
DEUTZ DIESEL ENGINE	30 HP - Air cooled
FUEL TANK	35 L
OIL TANK	60 L
PUMP	Triple
OIL COOLER	Hydraulic

#### SECURITY

DESCRIPTION
Remote control with guard protection with 2 proportional levers
Emergency stop
Validation button

#### OPTIONS

	DESCRIPTION
ROD CLAMP	Single - 160 mm
INJECTION SWIVEL	Triplex
OTHERS	Hydraulic top hammer for rotary-percussion Manipulation winch

