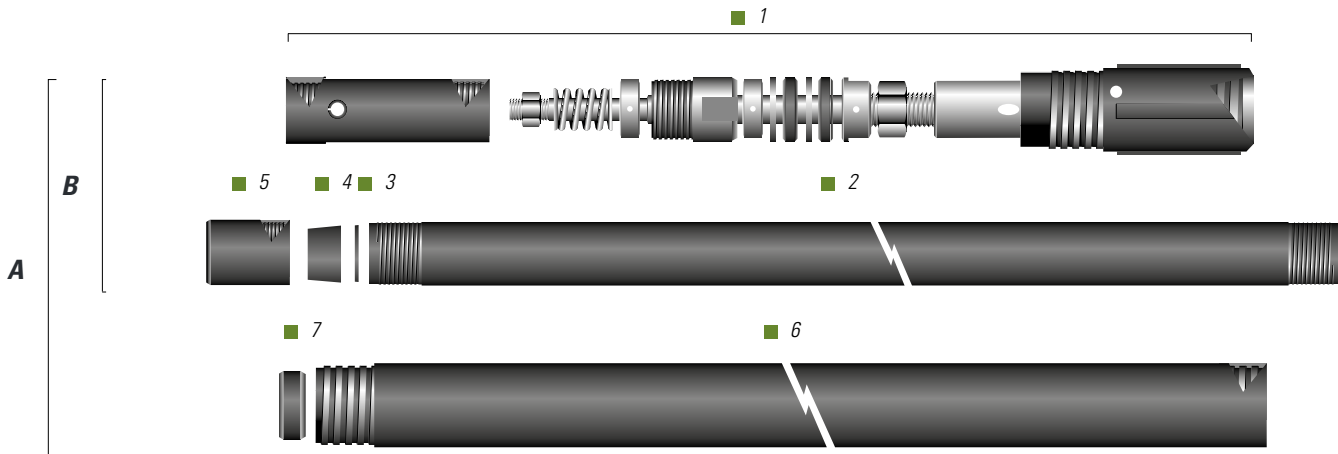


## OWL CONVENTIONAL SURFACE CORE BARREL | BTWV - NV - NV2 - HV

ASSY.	DESCRIPTION	PART NUMBER			
		BTWV	NV	NV2	HV
A	Core barrel assy 10 ft (3m) OWL	10S-B33-002	10S-N30-002	10S-N25-002	10S-H30-002
A	Core barrel assy 5 ft (1.5m) OWL	10S-B33-001	10S-N30-001	10S-N25-001	10S-H30-001
B	Inner tube assy 10 ft (3m)	10S-B33-004	10S-N30-004	10S-N25-004	10S-H30-004
B	Inner tube assy 5 ft (1.5m)	10S-B33-003	10S-N30-003	10S-N25-003	10S-H30-003

\* Different thread configurations are available, please contact your Fordia representative for more details.

POSITION	DESCRIPTION	PART NUMBER				
		BTWV	NV	NV2	HV	
A	1	Head assy OWL	10S-B33-005	10S-N30-005	10S-N25-005	10S-H30-005
	2	Inner tube 10 ft (3m)	10S-B13-033	10S-N10-033	10S-N11-033	10S-H10-033
	2	<b>OPTION</b> Inner tube 10 ft (3m) chrome-plated	10S-B13-033CP	10S-N10-033CP	10S-N11-033CP	10S-H10-033CP
	2	Inner tube 5 ft (1.5m)	10S-B13-032	10S-N10-032	10S-N11-032	10S-H10-032
	2	<b>OPTION</b> Inner tube 5 ft (1.5m) chrome-plated	10S-B13-032CP	10S-N10-032CP	10S-N11-032CP	10S-H10-032CP
	3	Stop ring	N/A	10S-N10-034	10S-N11-034	10S-H10-034
	4	Core lifter slotted	10S-B13-35S	10S-N10-35S	10S-N11-35S	10S-H10-35S
	4	<b>OPTION</b> Core lifter broached	10S-B13-35B	10S-N10-35B	10S-N11-35B	10S-H10-35B
	4	<b>OPTION</b> Core lifter slotted diamond coated	10S-B13-35SDC	10S-N10-35SDC	10S-N11-35SDC	10S-H10-35SDC
	4	<b>OPTION</b> Core lifter broached diamond coated	10S-B13-35BDC	10S-N10-35BDC	10S-N11-35BDC	10S-H10-35BDC
	4	<b>OPTION</b> Core lifter basket type	10S-B13-35BT	10S-N10-35BT	10S-N11-35BT	10S-H10-35BT
	5	Core lifter case	10S-B13-036	10S-N10-036	10S-N11-036	10S-H10-036
	6	Outer tube 10 ft (3m)	10S-B13-041	10S-N10-041	10S-N10-041	10S-H10-041
	6	<b>OPTION</b> Outer tube 10 ft (3m) chrome-plated	10S-B13-041CP	10S-N10-041CP	10S-N10-041CP	10S-H10-041CP
	6	<b>OPTION</b> Outer tube 10 ft (3m) full-hole	10S-B13-041H	10S-N10-041H	10S-N10-041H	10S-H10-041H
	6	<b>OPTION</b> Outer tube 10 ft (3m) chrome-plated-full hole	10S-B13-041HCP	10S-N10-041HCP	10S-N10-041HCP	10S-H10-041HCP
	6	Outer tube 5 ft (1.5m)	10S-B13-040	10S-N10-040	10S-N10-040	10S-H10-040
	6	<b>OPTION</b> Outer tube 5 ft (1.5m) chrome-plated	10S-B13-040CP	10S-N10-040CP	10S-N10-040CP	10S-H10-040CP
	6	<b>OPTION</b> Outer tube 5 ft (1.5m) full-hole	10S-B13-040H	10S-N10-040H	10S-N10-040H	10S-H10-040H
	6	<b>OPTION</b> Outer tube 5 ft (1.5m) chrome-plated full-hole	10S-B13-040HCP	10S-N10-040HCP	10S-N10-040HCP	10S-H10-040HCP
7	Inner tube stabilizer	10S-B13-042	10S-N10-042	10S-N11-042	10S-H10-042	



\* Other options are available, including extensions and protectors. Contact your Fordia representative for more details.