

WATER SWIVELS

COMPACT

Providing a watertight rotating joint, water swivels help pump efficiently pressurized water to the bottom of the hole. Fordia offers different models to match all drilling specifications – compact, compact plus and universal water swivel assemblies. High-speed water swivels for underground purposes are also available upon request - contact your sales representative to place an order.

COMPARATIVE CHART

	COMPACT	COMPACT PLUS	UNIVERSAL
ROTATING CAPACITY	500 lbs / 227 kg	10 000 lbs / 4 540 kg	11 000 lbs / 5 000 kg
STATIC CAPACITY	5 000 lbs / 2 270 kg	20 000 lbs / 9 000 kg	25 000 lbs / 11 400 kg

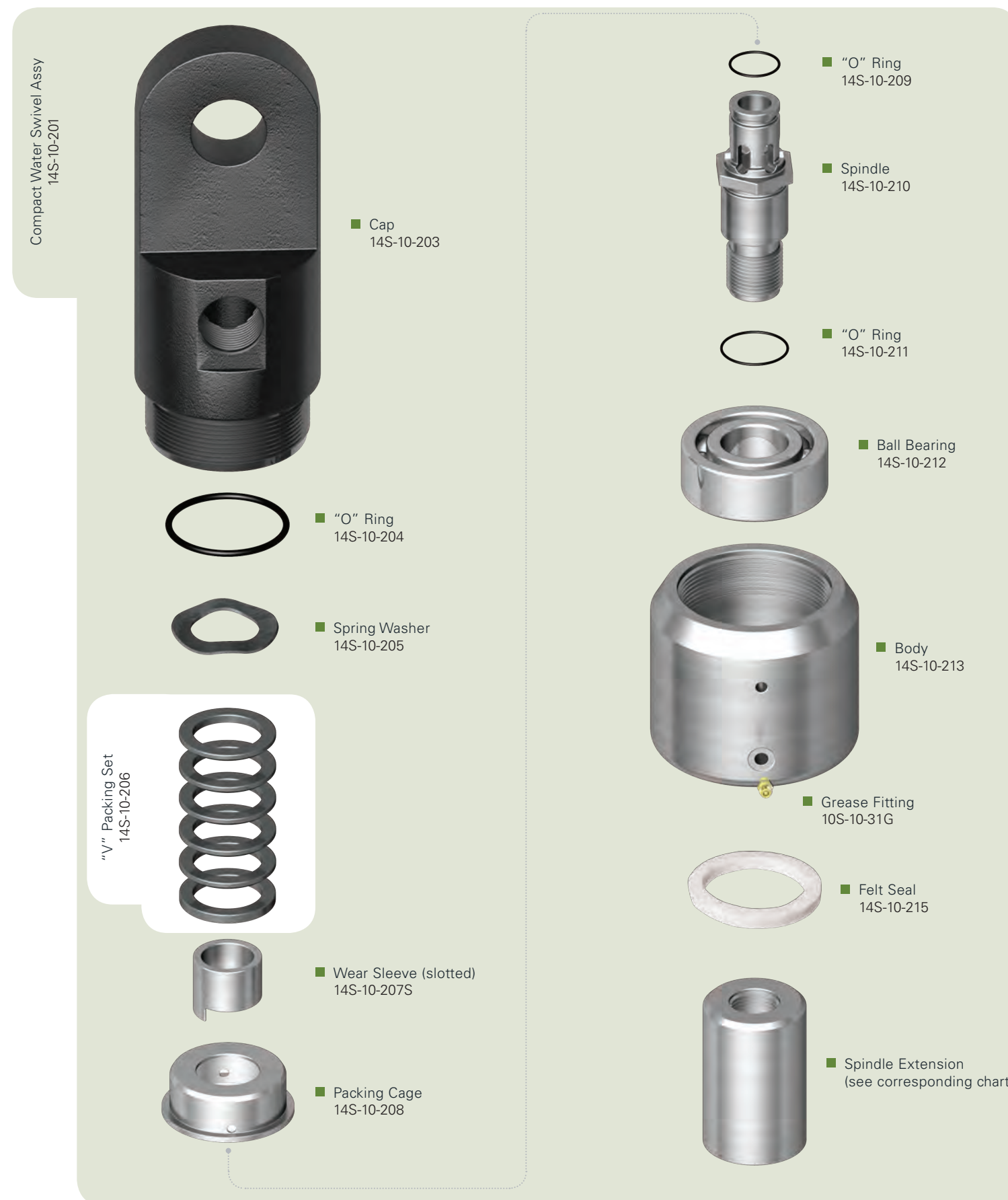
ASSEMBLY

DESCRIPTION	PART NO.
COMPACT WATER SWIVEL ASSY	14S-10-201
REPAIR KIT COMPACT	14S-10-202
CAP	14S-10-203
O-RING	14S-10-204
SPRING WASHER	14S-10-205
V-PACKING SET	14S-10-206
WEAR SLEEVE SLOTTED	14S-10-207S
PACKING CAGE	14S-10-208
O-RING	14S-10-209
SPINDLE	14S-10-210
O-RING	14S-10-211
BALL BEARING	14S-10-212
BODY	14S-10-213
GREASE FITTING	10S-10-31G
FELT SEAL	14S-10-215

SPINDLE EXTENSION

DESCRIPTION	PART NO.		
AW R/BOX	14S-10-216		
AWL R/PIN	14S-10-217		
A R/BOX	14S-10-218		
A R/PIN	14S-10-219		
BWL R/PIN	14S-10-220		
ATW R/PIN	14S-10-221		
BTW R/PIN	14S-10-222 </tr <tr> <td>NWL R/PIN</td> <td>14S-10-223</td> </tr>	NWL R/PIN	14S-10-223
NWL R/PIN	14S-10-223		

3D EXPLODED VIEW



WATER SWIVELS

COMPACT PLUS

Water swivels provide a watertight rotating joint to efficiently pump pressurized water to the bottom of the hole. Fordia offers different models to match all drilling specifications – compact, compact plus and universal water swivel assemblies. High-speed water swivels for underground purposes are also available upon request - contact your sales representative to place an order.

COMPARATIVE CHART

	COMPACT	COMPACT PLUS	UNIVERSAL
ROTATING CAPACITY	500 lbs / 227 kg	10 000 lbs / 4 540 kg	11 000 lbs / 5 000 kg
STATIC CAPACITY	5 000 lbs / 2 270 kg	20 000 lbs / 9 000 kg	25 000 lbs / 11 400 kg

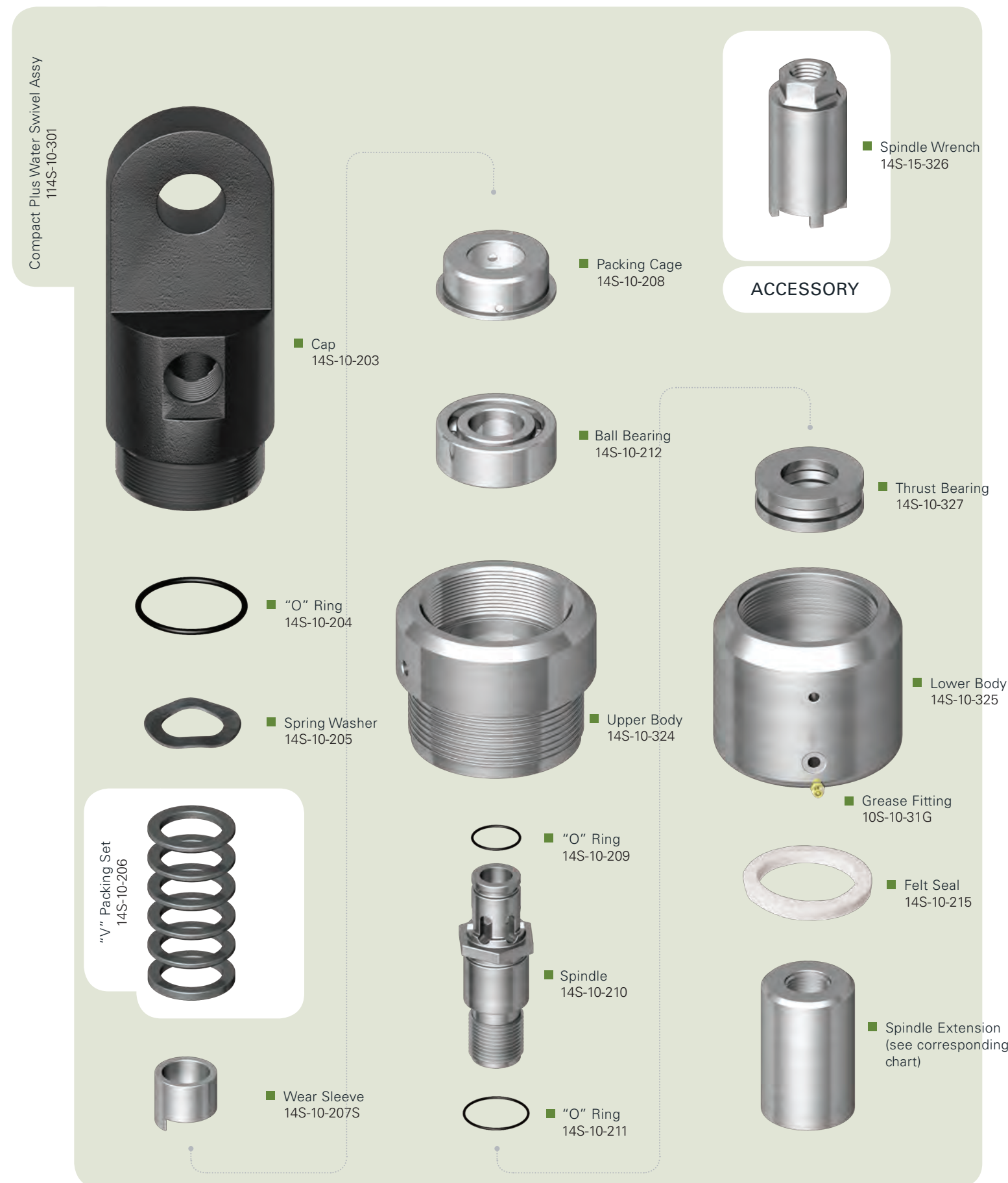
ASSEMBLY

DESCRIPTION	PART NO.
COMPACT PLUS WATER SWIVEL ASSY	14S-10-301
REPAIR KIT COMPACT	14S-10-302
CAP	14S-10-203
O-RING	14S-10-204
SPRING WASHER	14S-10-205
V-PACKING SET	14S-10-206
WEAR SLEEVE SLOTTED	14S-10-207S
PACKING CAGE	14S-10-208
O-RING	14S-10-209
SPINDLE	14S-10-210
O-RING	14S-10-211
BALL BEARING	14S-10-212
UPPER BODY	14S-10-324
LOWER BODY	14S-10-325
GREASE FITTING	10S-10-31G
FELT SEAL	14S-10-215
THRUST BEARING	14S-10-327
SPINDLE WRENCH (OPTIONAL)	14S-15-326

SPINDLE EXTENSION

DESCRIPTION	PART NO.		
AW R/BOX	14S-10-216		
AWL R/PIN	14S-10-217		
A R/BOX	14S-10-218		
A R/PIN	14S-10-219		
BWL R/PIN	14S-10-220		
ATW R/PIN	14S-10-221		
BTW R/PIN	14S-10-222 </tr <tr> <td>NWL R/PIN</td> <td>14S-10-223</td> </tr>	NWL R/PIN	14S-10-223
NWL R/PIN	14S-10-223		

3D EXPLODED VIEW



WATER SWIVELS

○ UNIVERSAL

The watertight rotating joint provided by the water swivel helps efficiently pump pressurized water to the bottom of the hole. Fordia offers different models to match all drilling specifications – compact, compact plus and universal water swivel assemblies. High-speed water swivels for underground purposes are also available upon request - contact your sales representative to place an order.

COMPARATIVE CHART

	COMPACT	COMPACT PLUS	UNIVERSAL
ROTATING CAPACITY	500 lbs / 227 kg	10,000 lbs / 4,540 kg	11,000 lbs / 5,000 kg
STATIC CAPACITY	5,000 lbs / 2,270 kg	20,000 lbs / 9,000 kg	25,000 lbs / 11,400 kg

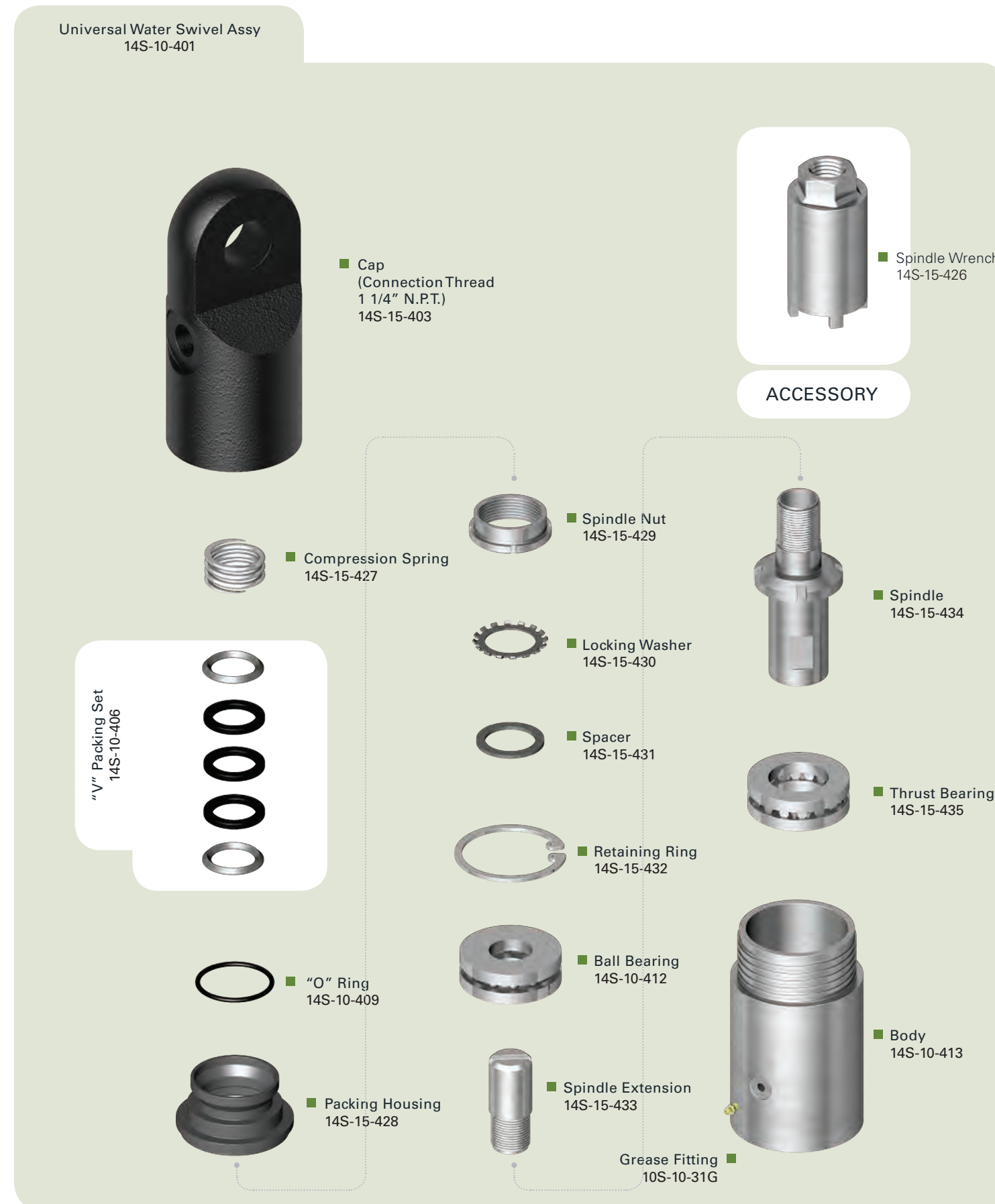
ASSEMBLY

DESCRIPTION	PART NO.
UNIVERSAL W/S SWIVEL ASSY	14S-10-401
REPAIR KIT COMPACT	14S-10-402
CAP (CONNECTION THREAD 1-1/4" N.P.T.)	14S-15-403
COMPRESSION SPRING	14S-15-427
V-PACKING SET	14S-10-406
O-RING	14S-10-409
PACKING HOUSING	14S-15-428
SPINDLE NUT	14S-15-429
LOCKING WASHER	14S-15-430
SPACER	14S-15-431
RETAINING RING	14S-15-432
BALL BEARING	14S-10-412
SPINDLE EXTENSION	14S-15-433
SPINDLE	14S-15-434
THRUST BEARING	14S-15-435
BODY	14S-10-413
GREASE FITTING	10S-10-31G
SPINDLE WRENCH	14S-15-426

ADAPTORS

DESCRIPTION	PART NO.
AWL R/PIN TO BW R/PIN	15-A102-B152
BWL R/PIN TO BW R/PIN	15-B102-B152
NWL R/PIN TO BW R/PIN	15-B152-N102
HWL R/PIN TO BW R/PIN	15-H102-B152
PWL R/PIN TO BW R/PIN	15-B152-P102
ATW R/PIN TO BW R/PIN	15-A132-B152
BTW R/PIN TO BW R/PIN	15-B132-B152
NTW R/PIN TO BW R/PIN	15-B152-N132

3D EXPLODED VIEW



HOISTING PLUGS

Meant to hoist and lower drill rods and casings easily, Fordia's hoisting plugs are comprised of a ball bearing type swivel made with quality components for maximum reliability. They ensure safe lifting of loads and allow the option to turn the rods or casings while they are suspended.



HOISTING PLUGS

	DESCRIPTION	PART NO.
6,000 lbs	HOISTING PLUG ASSY	67-06-001
	REPAIR KIT HOISTING PLUG	67-06-002
	BAIL	67-06-003
	SPINDLE	67-06-004
	COTTER PIN	67-06-005
	NUT	67-06-006
	BEARING ASSY	67-06-007
	GREASE FITTING	10S-10-31G
13,000 lbs	BODY AW ROD BOX	67-06-008
	HOISTING PLUG ASSY	67-13-001
	REPAIR KIT HOISTING PLUG	67-13-002
	BAIL	67-13-003
	SPINDLE	67-13-004
	COTTER PIN	67-13-005
	NUT	67-13-006
	BEARING ASSY	67-13-007
30,000 lbs	GREASE FITTING	10S-10-31G
	BODY NW ROD BOX	67-13-008
	HOISTING PLUG ASSY	67-30-001
	REPAIR KIT HOISTING PLUG	67-30-002
	BAIL	67-30-003
	SPINDLE	67-30-004
	COTTER PIN	67-30-005
	NUT	67-30-006
	BEARING ASSY	67-30-007
	GREASE FITTING	10S-10-31G
	BODY NW ROD BOX	67-30-008